

# SCHEDULE

ALL CLASSES IN THIS SCHEDULE ARE TO BE REGARDED AS EXHIBITS

## 'Déjà Vu'

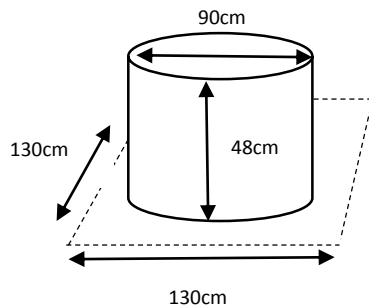
### CLASS 1 DEJA VU

Space allowed - width 130cm x depth 130cm x height optional

Staged on a natural colour MDF cylinder with an orange top 90cm in diameter, height 48cm from the floor. Floor placements not allowed.

**Open to Clubs affiliated to NAFAS.  
Two people may stage this exhibit.**

Viewed and judged from the front.



### CLASS 2 SPLENDOUR OF SEPTEMBER

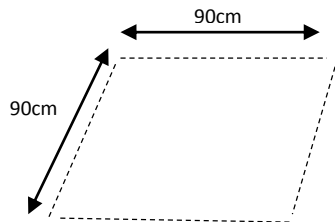
Space allowed – width 90cm x depth 90cm x height optional (not to exceed 190cm from the floor).

Staged at ground level on grey carpeting.

Exhibitor to supply own base if required.

To be displayed against a pale grey drape 198cm in height.

Viewed and judged from the front.



### CLASS 3 FLORAL FANTASY

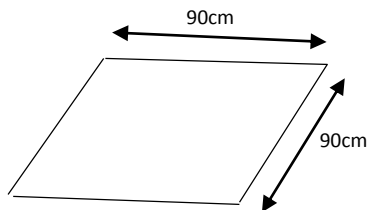
A Pedestal exhibit.

Space allowed - width 90cm x depth 90cm x height optional (not to exceed 190cm from the floor).

Staged on a lime base - width 90cm x depth 90cm X 1 cm thick.

To be displayed against a pale grey drape.

Viewed and judged from the front.



- Any class oversubscribed will be balloted.
- Staging: Monday 2<sup>nd</sup> September from 7.30am to 12.30pm.**  
See enclosed information sheet for entry details. Car parking is free.  
**Phone calls must not be made or received in the Marquee.**
- Non-competitors are not permitted in the staging area during staging times.
- Class 10 competitors will be supplied with items at the June Council meeting.
- Table heights: Unless otherwise stated these are 70cm from the ground, draped in pale grey material. **All measurements are approximate. Diagrams are a guide only and not to scale.**
- Marquee flooring: Wooden, covered with grey carpet.
- Display materials: colour samples will be sent where appropriate on acceptance of entry, together with any staging details as necessary.
- Dismantling: Sunday 8<sup>th</sup> September after 5pm.**
- Aerosol sprays may not be brought into the Marquee or used anywhere within the grounds of R.H.S. Wisley Gardens.
- Paint colours: Orange – B & Q Valencia Emulsion (walls & ceilings)  
Lime - Wickes Emulsion  
Silver - Wilko Metallic Spray Silver Paint
- Maintenance of exhibits: All exhibits must be staged in suitable containers and with secure mechanics to ensure a pristine condition is maintained throughout the duration of the show. **Competitors may water their exhibits at any time.**
- If you require any further information regarding the schedule, contact Pamela Askew on 01737 817779 or Marcia Atkinson on 01293 270681.

### SHOW COMMITTEE

Pamela Askew (Chairman), Alison Honor (Vice-Chairman),  
Anne Peck, Sue Long, Jan Warren, Pat George,  
Marcia Atkinson, Monica Read & Carole Baker.